

# OMS3200 R2 OMS3200 PRO DENTAL MICROSCOPE

*For more information, please contact:*  
**ZUMAX MEDICAL CO.,LTD.**

5 Zhiying Street, New district, Suzhou, Jiangsu 215129, P.R. China  
Tel. +86(512)6665 0502 Fax. +86(512)6690 9655  
www.zumaxmedical.com Email: sales@zumaxmedical.com



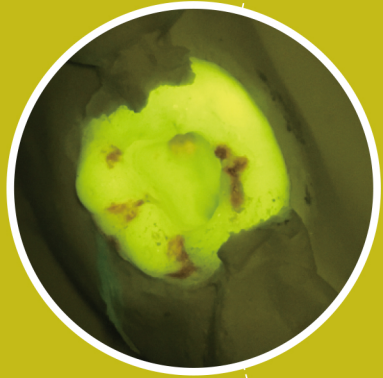
We Create Value  
For Our Customers  
With Our Service



# O M S 3 2 0 0 P R O



Motorized Zoom Magnification



FluoDet™ Fluorescent Module



AntiReflect Module



Auto Focus combined with  
4K camera (optional)



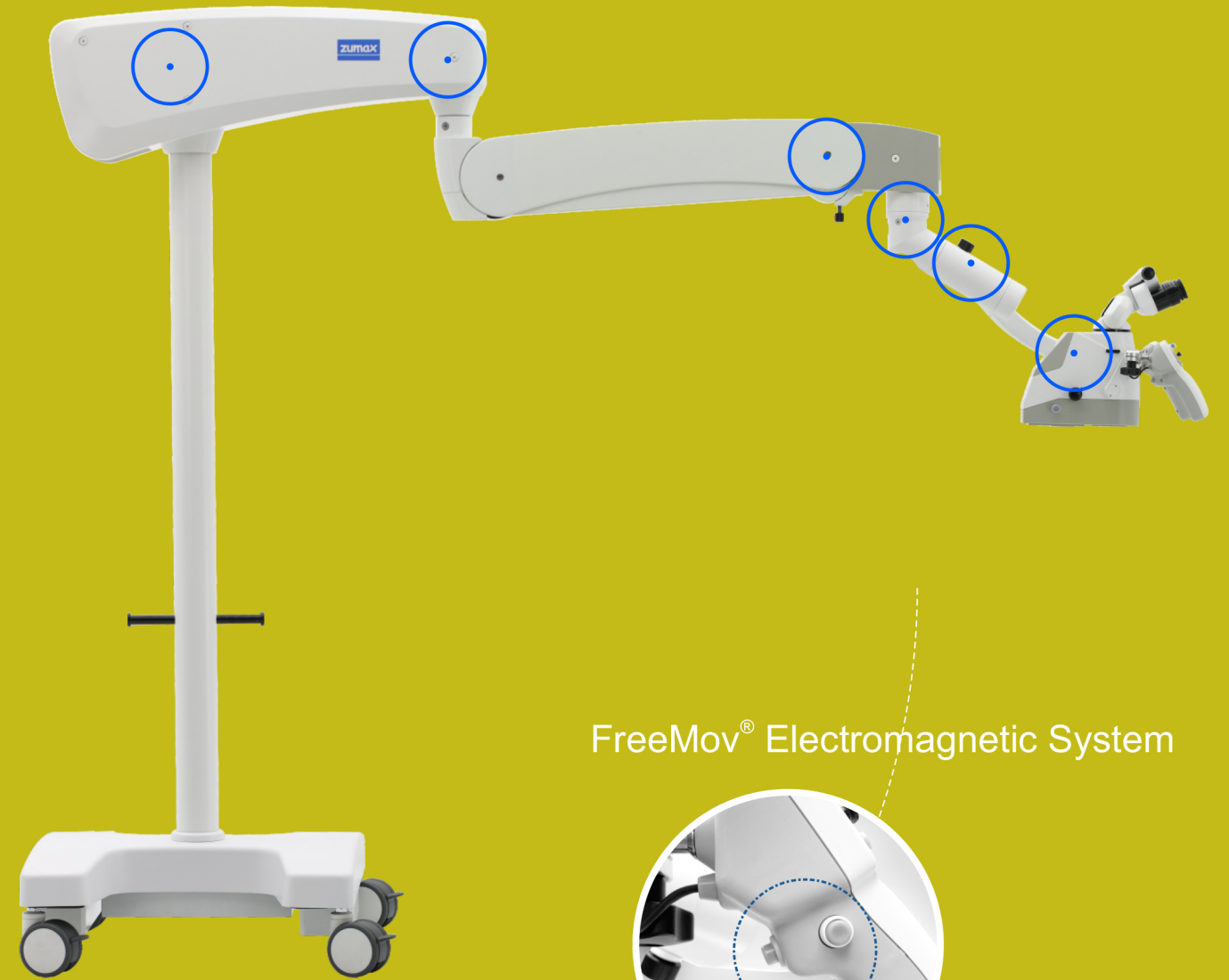
BriPlus™ Illumination System



Twin Switchable LEDs Illumination



FreeMov® Electromagnetic System





# OMS3200

# PRO

# MAGNIFICATION & ILLUMINATION

www.zumaxmedical.com

## OPTICAL SYSTEM

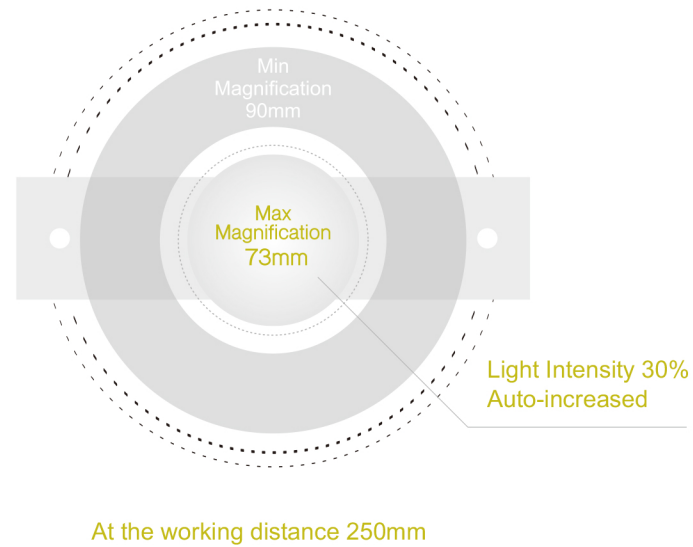
### VarioDist Objective Lens

The focal point separation of the pair lines can be adjusted in the range of 200mm to 450mm, allowing for easy focusing during operation.



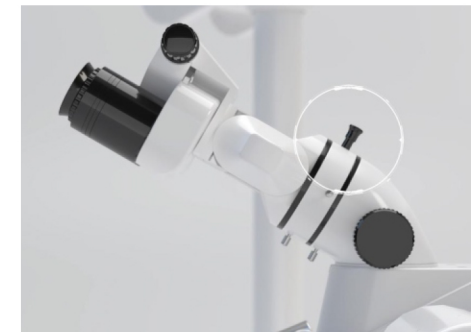
### BriPlus™ Illumination System

30% auto-increased intensity at maximum magnification to get more light for high magnification. When the magnification is at the highest, the light spot is the smallest and when the magnification is at the lowest, the light spot is the largest.



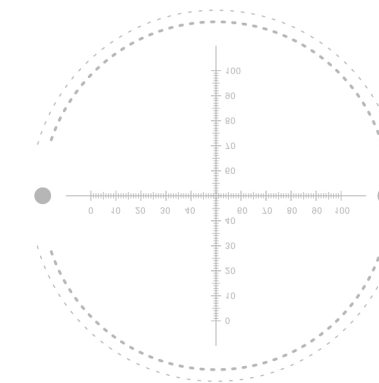
### MagPlus 1.5™ 0°-180° inclinable binocular tube with PD knob (optional)

This MagPlus1.5™ increase 50% magnification in the binocular.

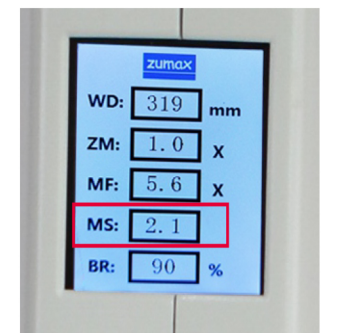


	0-180 deg inclinable binocular tube with PD	MagPlus1.5 180 deg inclinable binocular tube with PD
Magnification Adjustment	0.4x~2.4x	0.4x~2.4x
Magnification	1.8x~20x	2.7x~29x
Diameter of Field-of-view(mm)	124-11.6mm	82.5-7.7mm

### 12.5x Eyepiece with target reticle(optional)



Reticle Space x Measurement Scale=Objective Real Length

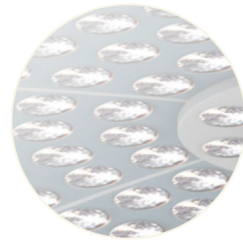


D E N T A L M I C R O S C O P E

# OMS 3200 PRO

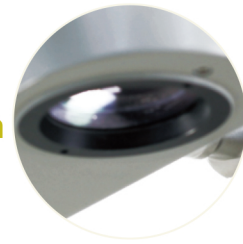
## LIGHTING SYSTEM

### TruLED™ Illumination



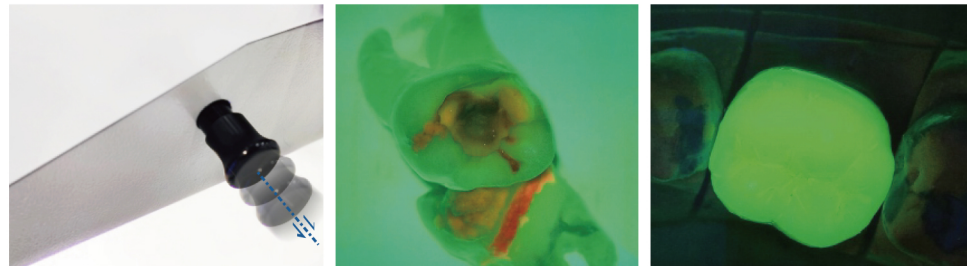
Illumination: >105000 lux, color rendering reproducibility (CRI:92), LEDs present many advantages over Halogen or Xenon sources including lower energy consumption, longer lifetime, improved robustness and durability and reliability.

### BiLED™ Illumination



Backup light source for accidentally shutting down of the main LED Illumination.

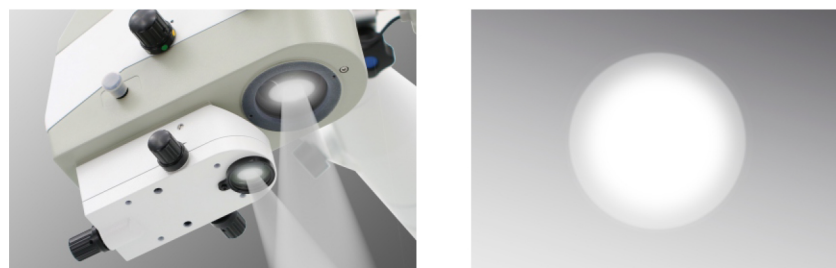
### FluoDet™ Fluorescent Module (optional)



Excluding for the USA, FDA is under the process of registration.

### Secondary Lighting (optional)

The illuminance is higher than 200,000 Lux when the working distance at 250mm,



## INTEGRATED FILTERS

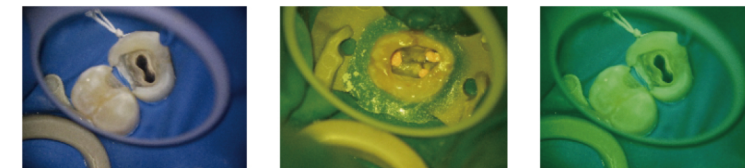
### AntiReflect Module (optional)



### Integrated Yellow & Green Filters, Illumination Filter

In addition to the two color filter of yellow and green, it is equipped with four pattern light range reduce the burden to the eyes of the user.

Yellow filter: Prevents premature curing of composite.  
Green filter: Improves detail visibility by enhancing the (red free) contrast of tissue with a strong blood supply.



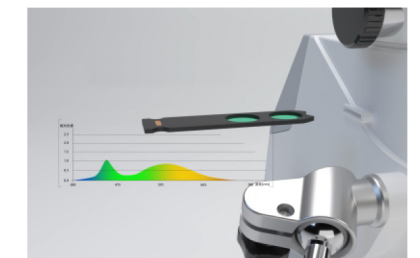
Large spot

Yellow filter

Green filter

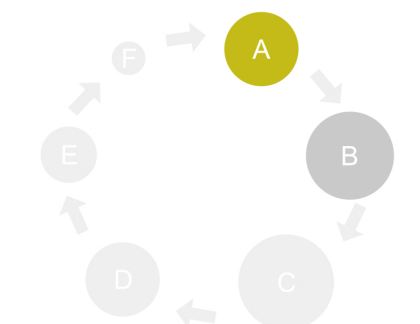
- A. Anti Reflect Module
- B. Large Spot
- C. Yellow Filter
- D. Green Filter
- E. Small Spot
- F. Micro Spot

### Integrated Laser Filters (optional)



Argon:488~514nm  
Diode:660nm  
Diode:800~830nm

Diode 980nm  
& NdYag 1064nm



D E N T A L M I C R O S C O P E



O M S 3 2 0 0

P R O

# IMAGE OUTPUT & RECORDING

## Integrated 4K Camera with USB disk

Zumax introduces outstanding UHD resolution and superior color performance, fidelity and economical. With outstanding performance, the camera outputs a whopping 3840/2160 resolution from HDMI interface with increased resolution up to 1800 TV lines, and has auto focus function.

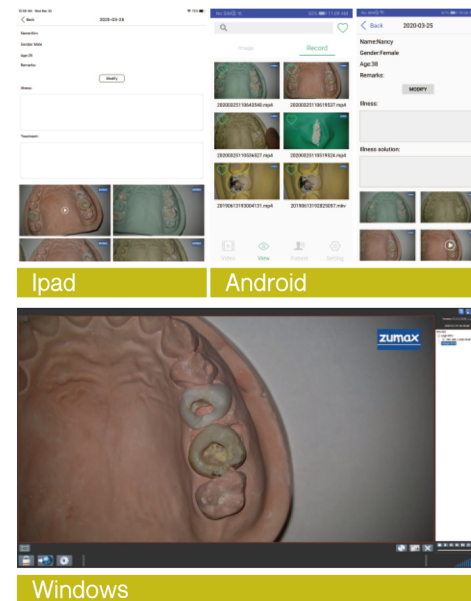
## iMovCloud™ Image Management (optional)

iMovCloud system has Single version, Intranet version and \*Cloud version.

iMovCloud Single version is an advanced and fully integrated surgical image management system which based on Windows platform. It is an ideal choice for worldwide dental clinics. Together with Zumax microscope to collect videos and images, integrate four major management functions of clinics, doctors, patients and medical records to realize the sorting, analysis and documentation.

"Intranet version" service, which realize local network viewing, maintenance, management easily, is coming soon.

"Cloud version" service, which realize cloud viewing, cloud maintenance, cloud management, remote joint inspection and other functions.



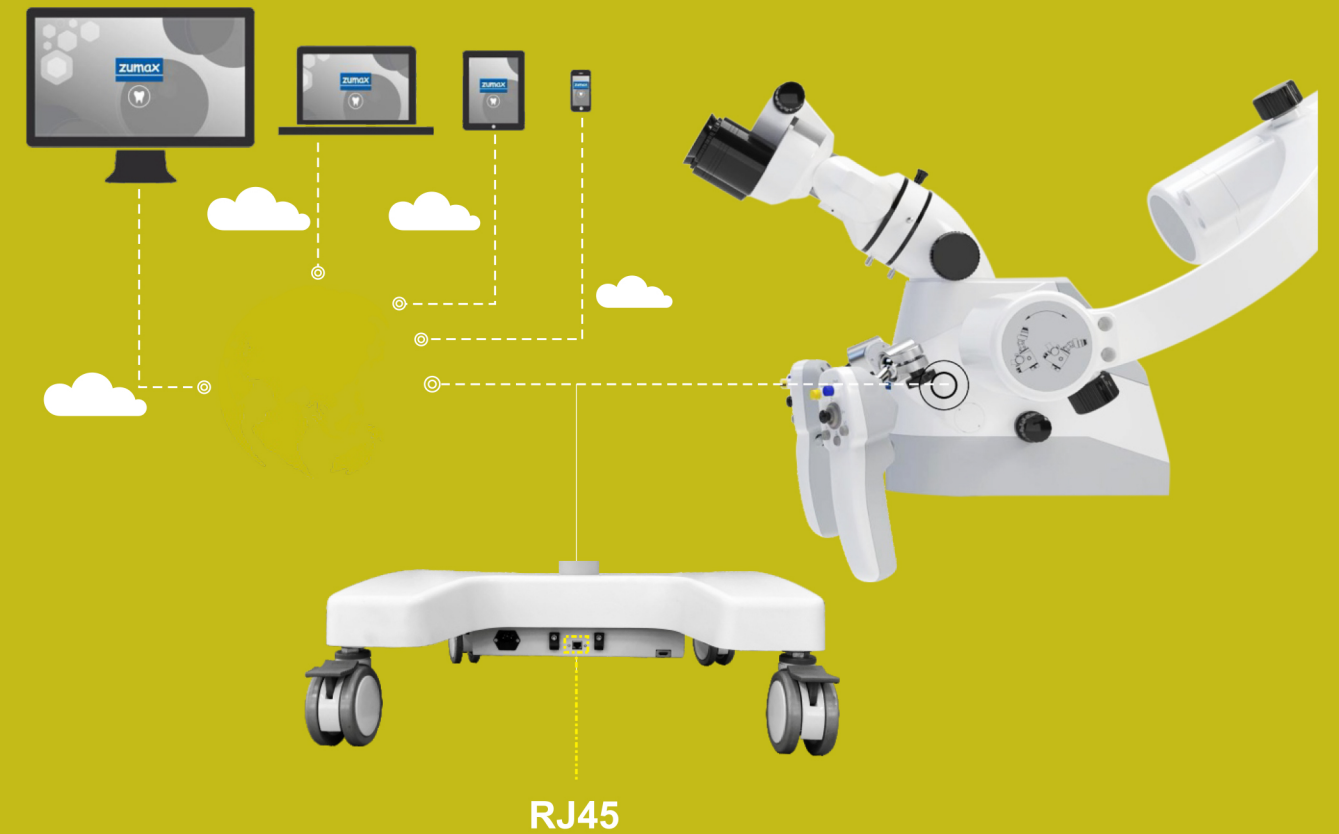
\*\*Cloud version\* is only available in China at present.

D E N T A L M I

Recording system as option that has the ability to take a still image or a video and save all data into an internal USB disk. Review photos & video by mouse instantly.



Multiple shooting methods by wireless control set or photo & video Button on both handles.



RJ45

C R O S C O P E

# O M S 3 2 0 0 P R O

www.zumaxmedical.com



3D SMART GLASSES:ESPON MOVERIO BT-35E  
NOTE: ESPON MOVERIO BT-35E 3D GLASSES ONLY OUTPUT FHD 3D IMAGES



## 4K-3D System (optional)

Twin 4K Cameras.

- Teaching or presenting in 3D mode which helps teachers teach and students learn through real time depth perception.
- Help patients to understand procedures clearly and better with 3D videos.
- Recorded 3D video in a SD card, can be viewed on 3D TV, 3D projectors and VR/AR viewers.
- Outputting real 3D streaming while the dentists are operating on microscope live.



D E N T A L M I C R O S C O P E



# OMS 3200 PRO

## DIGITAL VISUALIZATION

Optional digital visualization accessories provide lossless live images or play-back to perform the steps of a procedure to patient's understanding and store the records for reviewing.

www.zumaxmedical.com



Easy360 Plus Mobile Phone Adapter



Rota 360 Digital Camera Adapter for Nikon/Sony/Canon



Digital Camera Adapter



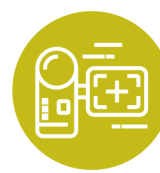
Digital Camcorder Adapter for Nikon/Sony/Canon



Adapter for  
CANON / SONY / NIKON SLR  
Camera



Adapter for  
CANON / SONY / NIKON  
Mirrorless Camera



Adapter for  
CANON / SONY / NIKON  
Camcorder



Adapter for Mobile Phone

D E N T A L M I C R O S C O P E

# OMS 3200 PRO

## OPERATION SYSTEM

www.zumaxmedical.com

### Multi-functional Handles

Ergonomic handles can control zoom magnification, fine focus, brightness as well as photo & video recording electronically by touching the buttons.

### Motorized Zoom

Convenient zoom adjustment continuously motorized in pushing-and-pulling the joystick.



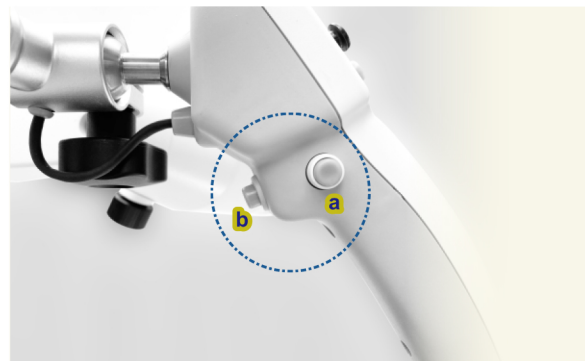
### Wireless ST<sup>®</sup> Mini-Footswitch

IPX8 waterproof Mini-footswitch has compact structure, which realized the doctor's blind operation of zoom magnification, fine focusing and taking still photos and videos without removing the visual field. Free hands when hands on.



### 3 & 6 Magnetic Brakes

The magnetic brakes provide an easy and precise positioning of the microscope. Just press the buttons (a or b) to release handbrakes and bring the microscope in the location required.



### FreeMov<sup>®</sup> Electromagnetic System(A-F)



### SmartMon LCD Display



WD: Working Distance  
ZM: Zoom Magnification  
MF: Magnification Factor  
MS: Magnification Scale  
BR: Brightness

### Pendulum Function

This function allows the users to remain in an upright viewing position, by changing the direction of the optic pod without changing the direction of the binocular head thereby enhancing user comfort and ergonomics.

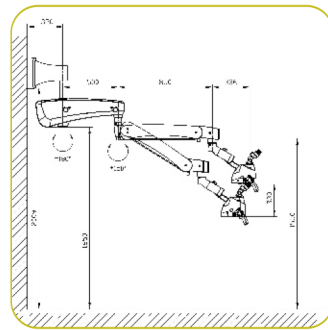


D E N T A L M I C R O S C O P E

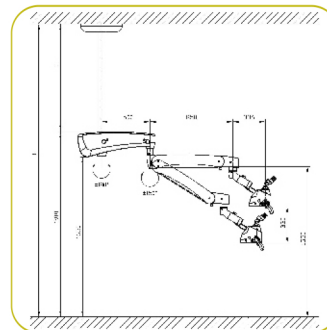


# O M S 3 2 0 0 P R O

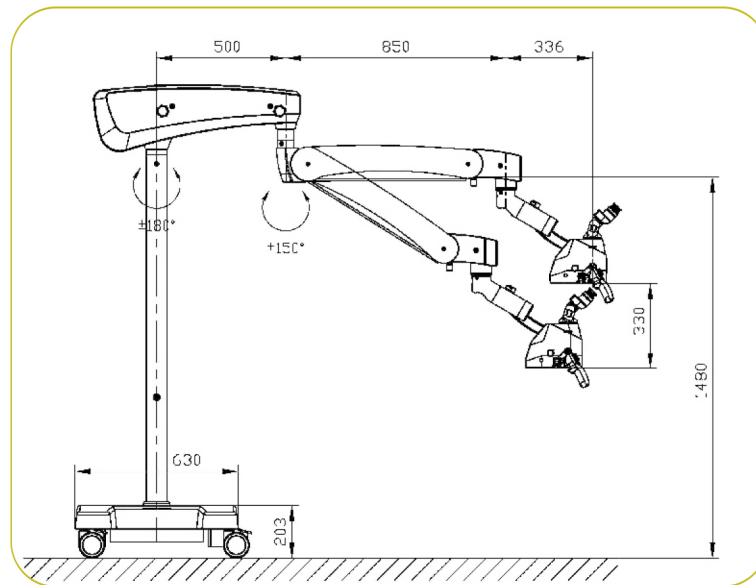
## TECHNICAL CONFIGURATION



Wall Mount



Ceiling Mount



Floor Stand



### Basic Configuration

Model	OMS3200 R2	OMS3200 Pro
Magnification System	Motorized Zoom System, with apochromatic 1:6 ratio	
	1.8x-20x with 12.5x eyepieces	
	Magnification factor $\gamma=0.4X-2.4X$	
Tubes	0°-180° inclinable binocular tube with PD adjusting knob, f=170mm	
Eyepieces	12.5x wide-field eyepieces, also suitable for eyeglass wearers	
Objective/Focus	Motorized VarioDist Objective Lens, variable working distance 200-450mm	
Illumination System	BriPlus™ Illumination system, integrated true color LED illumination CT5500K/CRI 92>105,000 Lux at working distance 250mm	
	30% auto-increased intensity at maximum magnification, >150,000 Lux	
	Illumination spot between 90mm-73mm at working distance 250mm	
	Twin switchable LEDs, (Optional under the preset without FluoDet™ Fluorescence Module selected) Yellow and Green filters	
Controls	FreeMov® 3-Electromagnetic brakes	FreeMov® 6-Electromagnetic brakes
	Multi-functional handles, below buttons to lock/unlock 3 brakes, Side buttons to lock/unlock 6 brakes, joysticks for motorized zoom +/-, Motorized focus +/-, 4 buttons for taking photo/video, lighting +/- SmartMon LCD display, displaying current working distance, zoom factor, magnification, measurement factor, LED brightness	
Construction	Floor Stand with "H" shaped base, 632x632mm	

### Optional Configuration

Tubes	MagPlus1.5™ 0°-180° inclinable binocular tube with PD adjusting knob, boosts magnification by 50%
Eyepieces	12.5x wide-field eyepieces with reticle, also suitable for eyeglass wearers
	10x wide-field eyepieces, also suitable for eyeglass wearers
Illumination System	Adding a second LED illumination module, intensity at maximum magnification >170,000 ~210,000Lux
	FluoDet™ Fluorescence Module (Optional under the preset without twin switchable LEDs selected) AntiReflect Module
Laser Filter	Interchangeable laser filters: Argon: 488-514nm, Diode: 660nm, Diode: 800-830nm, Diode 980nm & NdYag 1064nm
Integrated Video System	Integrated 4K 1/1.2" Sony CMOS video camera streaming HDMI to desktop devices and mobiles with Windows PC/Android/iOS via Zumax App, transferred via WIFI or wired RJ45
	4K/3D, 2 x 1/1.2" Sony CMOS, 1 x 2D HDMI output and 1 x 3D HDMI output iMovCloud™ Image Management (optional)
Construction	Ceiling Mount, Wall Mount

D E N T A L M I C R O S C O P E

**ZUMAX MEDICAL  
CO.,LTD.**

www.zumaxmedical.com

*We Create Value  
For Our Customers  
With Our Service*



D E N T A L M I C R O S C O P E